

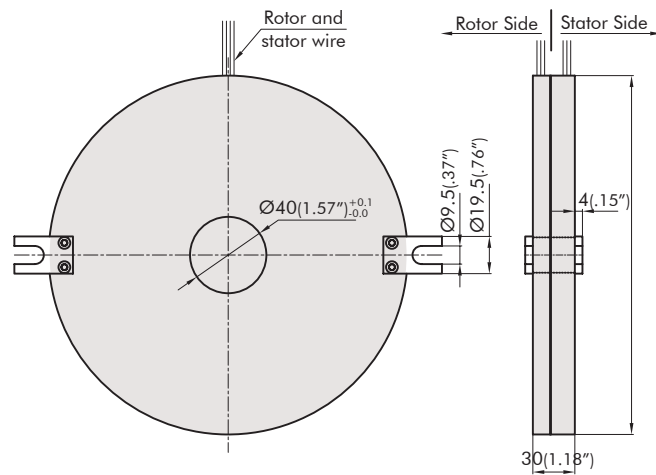
PANCAKE FLAT TYPE SLIP RING

Thickness: 30mm

Description

Pancake Flat Type Slip Ring REC - Model RP30H40 Series ID: 40mm

This slip ring can be used in any electromechanical system that requires unlimited, continuous rotation when transferring signal data from a fixed body to a rotating structure. This model of slip ring is designed for minimum thickness requirements where thickness restrictor and bore diameter needed. This model has 30mm thickness and can easily be mounted on a shaft. Fibre brushes are virtually lubricant and maintenance free virtually no abrasion for lifetime useage. This model of slip rings utilizes a group of fibre brush technologies and provides several contact points between the brushes and the rings. Thus long life and uninterrupted transmission is ensured. Pancake slip rings are used where there is a small space or lightness at the place of application. This type of slip rings has rotor, brush bearing and dust protection structure comparing with all standard models. Although the main purpose of the product is to be used for commercial applications, they are very suitable for military use as well. We offer standardized and modular design and fully customizable products.



Sizes mm (inc)

Features

This model of slip ring has a bore diameter of 40mm, thickness 30mm and has between 2 and 24 lines in standard production. Power circuits can also be combined as to be 5, 10 and 20 amps and multiples. 200rpm working speed is provided. Compatible with all signal protocols. Gold contacts and silver brushes.

Options

Cable Length, Body Material, IP Class, Operating Temperature, Cable Outlet Point, Terminal Block Connection, Different Current Values, Military Class Standard.

Electrical Information

Features	Values
	Power Signal
Rated Voltage	440VAC/VDC 240VAC/VDC
Insulation Resistance	$\geq 1000\text{M}\Omega/500\text{VDC}$ $\geq 1000\text{M}\Omega/500\text{VDC}$
Cable Sizes	AWG16#Teflon AWG22#Teflon
Cable Length	Standard: 300mm
Electrical Noise	<0,01 Ω

Mechanical Information

Features	Values
Operating Speed	60 rpm
Operating Temperature	-30°C~80°C
Operating Humidity	0~85%RH
Contact Material	Precious Metals
Frame Material	Aluminum
IP Class	IP51

*For more information about how REC slip ring pancake can fit your specific application, contact our slip ring experts.

PANCAKE FLAT TYPE SLIP RING

Thickness: 30mm

Pancake Flat Type Product List

Model	Internal Diameter (mm)	Thickness	External Diameter (mm)	Power 20A	Power 10A	Signal 5A	Number of Total Circuit
RP30H40.S0205	40	30	120	-	-	2	2
RP30H40.P0210	40	30	120	-	2	-	2
RP30H40.P0210.S0205	40	30	136	-	2	2	4
RP30H40.P0410	40	30	136	-	4	-	4
RP30H40.S0605	40	30	152	-	-	6	6
RP30H40.P0610	40	30	152	-	6	-	6
RP30H40.P0620	40	30	152	6	-	-	6
RP30H40.P0210.S0405	40	30	152	-	2	4	6
RP30H40.S1205	40	30	200	-	-	12	12
RP30H40.P1210	40	30	200	-	12	-	12
RP30H40.P1220	40	30	200	12	-	-	12
RP30H40.P0610.S0605	40	30	200	-	6	6	12
RP30H40.P0620.S0605	40	30	200	6	-	6	12
RP30H40.S1805	40	30	248	-	-	18	18
RP30H40.P1220	40	30	248	-	18	-	18
RP30H40.P0610.S1205	40	30	248	-	6	12	18
RP30H40.P1210.S0605	40	30	248	-	12	6	18
RP30H40.P0810.S1005	40	30	248	-	8	10	18
RP30H40.S2405	40	30	296	-	-	24	24