

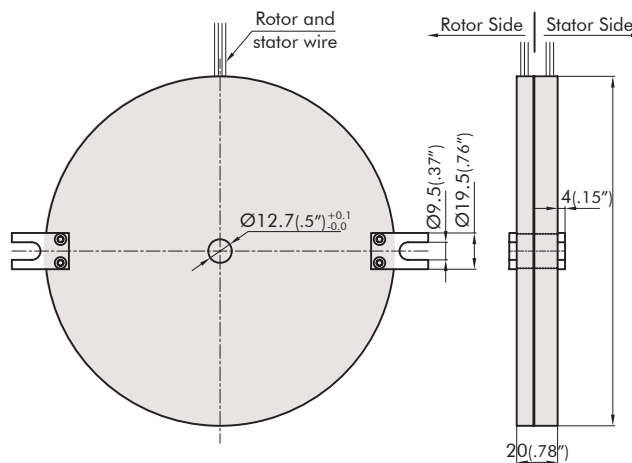
# PANCAKE FLAT TYPE SLIP RING

## Thickness: 20mm

### Description

Pancake Flat Type Slip Ring REC - Model RP20H12 Series ID: 12mm

This slip ring can be used in any electromechanical system that requires unlimited, continuous rotation when transferring signal data from a fixed body to a rotating structure. This model of slip ring is designed for minimum thickness requirements where thickness restrictor and bore diameter needed. This model has 20mm thickness and can easily be mounted on a shaft. Fibre brushes are virtually lubricant and maintenance free virtually no abrasion for lifetime useage. This model of slip rings utilizes a group of fibre brush technologies and provides several contact points between the brushes and the rings. Thus long life and uninterrupted transmission is ensured. Pancake slip rings are used where there is a small space or lightness at the place of application. This type of slip rings has rotor, brush bearing and dust protection structure comparing with all standard models. Although the main purpose of the product is to be used for commercial applications, they are very suitable for military use as well. We offer standardized and modular design and fully customizable products.



Sizes mm (inc)

### Features

This model of slip ring has a bore diameter of 12mm, thickness 20mm and has between 2 and 24 lines in standard production. Power circuits can also be combined as to be 5, 10 and 20 amps and multiples. 200rpm working speed is provided. Compatible with all signal protocols. Gold contacts and silver brushes.

### Options

Cable Length, Body Material, IP Class, Operating Temperature, Cable Outlet Point, Terminal Block Connection, Different Current Values, Military Class Standard.

### Electrical Information

Features	Values	
	Power	Signal
Rated Voltage	440VAC/VDC	240VAC/VDC
Insulation Resistance	≥ 1000MΩ/500VDC	≥ 1000MΩ/500VDC
Cable Sizes	AWG16#Teflon	AWG22#Teflon
Cable Length	Standard: 300mm	
Electrical Noise	< 0,01 Ω	

### Mechanical Information

Features	Values
Operating Speed	60 rpm
Operating Temperature	-30°C~80°C
Operating Humidity	0~85%RH
Contact Material	Precious Metals
Frame Material	Aluminum
IP Class	IP51

\*For more information about how REC slip ring pancake can fit your specific application, contact our slip ring experts.

# PANCAKE FLAT TYPE SLIP RING

Thickness: 20mm

## Pancake Flat Type Product List

Model	Internal Diameter (mm)	Thickness	External Diameter (mm)	Power 20A	Power 10A	Signal 5A	Number of Total Circuit
RP20H12.S0205	12	20	76	-	-	2	2
RP20H12.P0210	12	20	76	-	2	-	2
RP20H12.P0210.S0205	12	20	92	-	2	2	4
RP20H12.P0410	12	20	92	-	4	-	4
RP20H12.S0605	12	20	108	-	-	6	6
RP20H12.P0610	12	20	108	-	6	-	6
RP20H12.P0620	12	20	108	6	-	-	6
RP20H12.P0210.S0405	12	20	108	-	2	4	6
RP20H12.S1205	12	20	156	-	-	12	12
RP20H12.P1210	12	20	156	-	12	-	12
RP20H12.P1220	12	20	156	12	-	-	12
RP20H12.P0610.S0605	12	20	156	-	6	6	12
RP20H12.P0620.S0605	12	20	156	6	-	6	12
RP20H12.S2405	12	20	252	-	-	24	24
RP20H12.P2420	12	20	252	-	24	-	24
RP20H12.P0610.S1805	12	20	252	-	18	6	24
RP20H12.P1210.S1205	12	20	252	-	12	12	24