

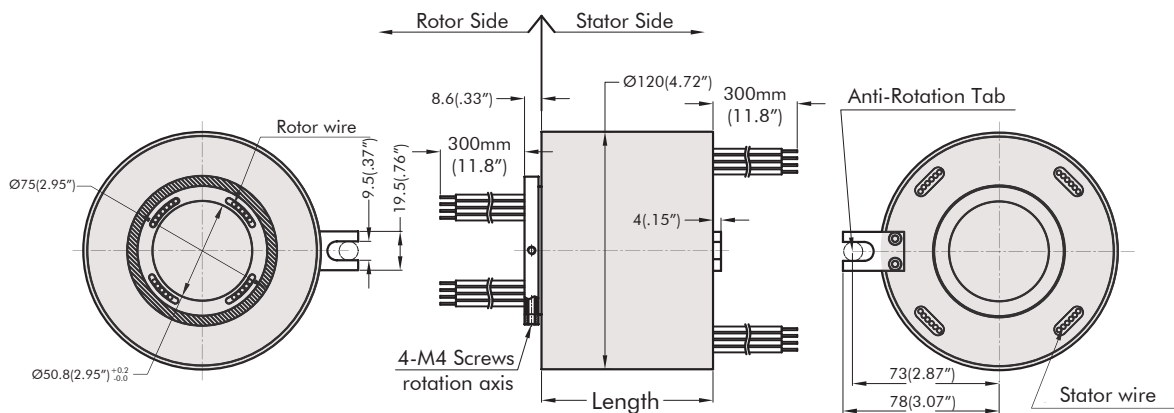
HOLLOW SHAFT ETHERNET SLIP RING 1000 BASE-T

ID: 50mm

Description

Hollow Shaft Slip Ring REC – Model RH50 Ethernet Series ID: 50mm

This type of slip rings with the centre-hole and Ethernet transmission can be used alone or in combination with any electromechanical system that requires unlimited continuous rotation when transferring power and / or signal data from a fixed structure to a rotating structure. Products inner diameter is 50mm and outer diameter is 120mm and can be pivoted on a shaft easily. It provides Ethernet, EtherCAT, Profinet, Sercos, Powerlink and Canbus transmissions designed for high and fast data transmission. Fibre brushes are virtually lubricant and maintenance-free, with virtually no abrasion for lifetime use. Suitable for 1000Mbit transmission and equipped with RJ45 / M12 connectors for plug and play use. CAT5E, CAT6 or CAT7E cables can be selected by the customer. Depending on the models, these products have an aluminium or abs body and are very easy to assemble having many different flange structures. By combining signal and power lines, specific current and multiples value can be made. In this type of slip ring, a group of fibre brush technologies are used and there are several points of contact between the brushes, thus ensuring long life and uninterrupted transmission. Slip ring can be integrated with complete fluid rotary transmission. Each slip ring is tested for transmission lines besides the standard controls before delivery.



Sizes mm (inc)

Features

The product has a hole diameter of 50mm and 1 and 2 Ethernet and maximum 38 lines in standard production. In the case of special manufacturing, the number of conductors is produced more. The lines can be joined in multiples of 2A and 10A. Optional operating speed operating speeds are 150 rpm and 500 rpm. Gold rings and silver brushes. ABS or Aluminium Body.

Options

Mechanical Design, Flange Option, IP Class, Operating Temperature, Different Current Values, Case Options as AL or ABS, Military Class Standard.

Electrical Information

Features	Values	
	Power	Signal
Rated Voltage	440VAC/VDC	440VAC/VDC
Insulation Resistance	≥ 1000MΩ/500VDC	≥ 1000MΩ/500VDC
Cable Size	AWG16#Teflon	AWG22#Teflon
Cable Length	Standard: 300mm	
Electrical Noise	<0,01 Ω	

Mechanical Information

Features	Values
Operating Speed	150rpm / 500rpm
Operating Temperature	-30°C~+80°C
Operating Humidity	0~85%RH
Contact Material	Precious Metal
Frame Material	Aluminium
IP Class	IP51

*For more information about how REC slip ring hollow can fit your specific application, contact our slip ring experts.

HOLLOW SHAFT ETHERNET SLIP RING 1000 BASE-T

ID: 50mm

RH50 Series Ethernet Slip Rings Product List

Model	Internal Diameter (mm)	External Diameter (mm)	(L=mm)	Ethernet	Connector	Signal 5A	Power 10A
RH50.S0405.E01	50	119	74	1	RJ45	4	0
RH50.P0410.E01	50	119	74	1	RJ45	0	4
RH50.P0810.E01	50	119	96,8	1	RJ45	0	8
RH50.S1005.E01	50	119	96,8	1	RJ45	10	0
RH50.P0210.S0805.E01	50	119	96,8	1	RJ45	8	2
RH50.P0610.S0405.E01	50	119	96,8	1	RJ45	4	6
RH50.S1605.E01	50	119	120	1	RJ45	16	0
RH50.P1610.E01	50	119	120	1	RJ45	0	16
RH50.P0410.S1210.E01	50	119	120	1	RJ45	12	4
RH50.P0810.S0805.E01	50	119	120	1	RJ45	8	8
RH50.S2205.E01	50	119	142,4	1	RJ45	22	0
RH50.P0410.S1805.E01	50	119	142,4	1	RJ45	18	4
RH50.P2210.E01	50	119	142,4	1	RJ45	0	22
RH50.P0610.S2205.E01	50	119	165,2	1	RJ45	22	6
RH50.P0610.S3405.E01	50	119	210,8	1	RJ45	34	6
RH50.S4005.E01	50	119	210,8	1	RJ45	40	0
RH50.P0610.S4005.E01	50	119	233,6	1	RJ45	40	6
RH50.S4605.E01	50	119	233,6	1	RJ45	46	0
RH50.S0205.E2	50	119	96,8	2	RJ45	2	0
RH50.P0210.E02	50	119	96,8	2	RJ45	0	2
RH50.S0805.E2	50	119	120	2	RJ45	8	0
RH50.P0810.E02	50	119	120	2	RJ45	0	8
RH50.P0410.S0405.E02	50	119	120	2	RJ45	4	4
RH50.S1405.E02	50	119	142,4	2	RJ45	14	0
RH50.P0610.S0805.E02	50	119	142,4	2	RJ45	8	6
RH50.P1410.E02	50	119	142,4	2	RJ45	0	14
RH50.S2005.E02	50	119	165,2	2	RJ45	20	0
RH50.P0410.S1610.E02	50	119	165,2	2	RJ45	16	4
RH50.P1010.S1005.E02	50	119	165,2	2	RJ45	10	10
RH50.P2010.E02	50	119	165,2	2	RJ45	0	20
RH50.P0610.S2605.E02	50	119	210,8	2	RJ45	26	6
RH50.S3205.E02	50	119	210,8	2	RJ45	32	0
RH50.P0610.S3205.E02	50	119	233,6	2	RJ45	32	6
RH50.S3805.E02	50	119	233,6	2	RJ45	38	0