

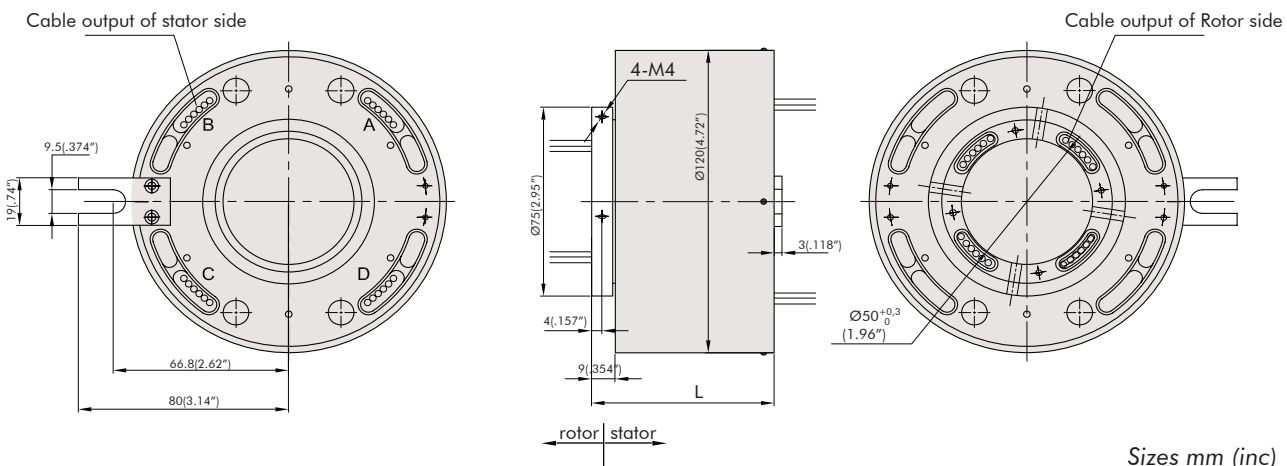
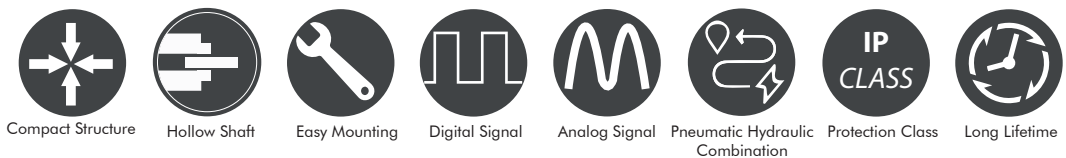
# THROUGH BORE SLIP RING

## ID: 50mm

### Description

Hollow Shaft Slip Ring REC - Model RH50 Series ID: 50mm

RH50 Series central hole Slip Ring can be used in any electromechanical system that is requiring unlimited, continuous rotation for transmitting power and signal data from a stable structure to rotational structure. With a hole diameter as 50mm, the product can be easily mounted on a shaft. Also, the fiber brushes do not require lubrication and maintenance, almost no wearing down during its life time. This type of slip ring uses a bunch of fiber brush technology in the ring and a few of the brushes and rings contact is provided on a point. This ensures long lifetime and uninterrupted transmission.



Sizes mm (inc)

### Features

Inner Diameter:50mm, Outer Diameter:120 mm The length of the slip rings depend on the number of channels. It has maximum 48 channels. It can be combined as 10 amperage and multiples on power circuits. Power and signal channels are used in same connector. Safety can be provided for all combinations. It is convenient to use according to all of the protocols. It has gold contacts, stainless steel body.

### Options

Cable Length, Mechanical Design, Flange Option, IP Class, Operating Temperature, Cable Output Point, Different Current Values

### Electrical Information

Features	Values	
	Power	Signal
Rated Voltage	380 VAC	240VAC/VDC
Insulation Resistance	≥ 1000 M Ω / 500VDC	≥ 500 M Ω / 500VDC
Cable Size	isolation PVC or PE	AWG22 silver coating, PTFE isolation
Cable Length	500mm Standard: 500mm	
Dielectric Strength	500VAC@50Hz,60s	
Electrical Noise	≤10mΩ	

### Mechanical Information

Features	Values
Operating Speed	250/500 rpm
Operating Temperature	-20°C ~ +80°C
Operating Humidity	60%RH or more
Contact Material	Precious Metal
Frame Material	Metal
Torque	0.1 N M for -6 version, 0.03N M is added for each 6 Ring
Protection Class	IP51, IP54, IP65 Standard: IP51, Optional: IP54, IP65

# THROUGHT BORE SLIP RING

## ID: 50mm

### Standard Products List of RH50 Series

Type	(L=mm)	Rated Current		Total Number of Circuits
		P(10A, 15A)	S(2A)	
RH50.P0610	69.5	6	—	6
RH50.S1205	69.5	—	12	12
RH50.P1210	99.5	12	—	12
RH50.P0610.S1205	99.5	6	12	18
RH50.S2405	99.5	—	24	24
RH50.P1810	129.5	18	—	18
RH50.P1210.S1205	129.5	12	12	24
RH50.P0610.S2405	129.5	6	24	30
RH50.S3605	129.5	—	36	36
RH50.P2410	159.5	24	—	24
RH50.P1810.S1205	159.5	18	12	30
RH50.P1210.S2405	159.5	12	24	36
RH50.P0610.S3605	159.5	6	36	42
RH50.S4805	159.5	—	48	48
RH50.P3010	189.5	30	—	30
RH50.P2410.S1205	189.5	24	12	36
RH50.P1810.S2405	189.5	18	24	42
RH50.P1210.S3605	189.5	12	36	48
RH50.P0610.S4805	189.5	6	48	54
RH50.S6005	189.5	—	60	60
RH50.P3610	219.5	36	—	36
RH50.P3010.S1205	219.5	30	12	42
RH50.P2410.S2405	219.5	24	24	48
RH50.P1810.S3605	219.5	18	36	54
RH50.P1210.S4805	219.5	12	48	60
RH50.P0610.S6005	219.5	6	60	66
RH50.S7205	219.5	—	72	72