

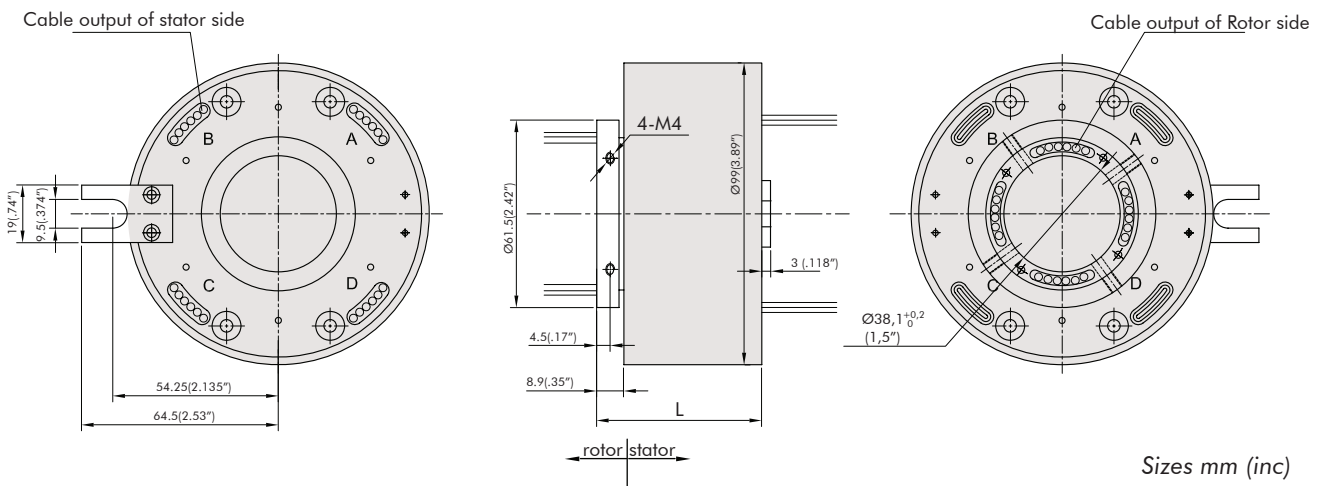
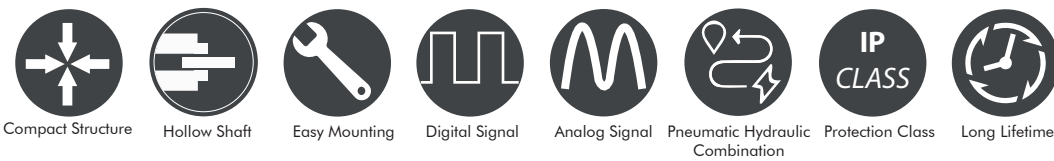
# THROUGH BORE SLIP RING

## ID: 38.1mm

### Description

Hollow Shaft Slip Ring REC - Model RH38 Series ID: 38.1 mm

RH38 Series central hole Slip Ring can be used in any electromechanical system that is requiring unlimited, continuous rotation for transmitting power and signal data from a stable structure to rotational structure. With a hole diameter as 38.1mm, the product can be easily mounted on a shaft. Also, the fiber brushes do not require lubrication and maintenance, almost no wearing down during its life time. This type of slip ring uses a bunch of fiber brush technology in the ring and a few of the brushes and rings contact is provided on a point. This ensures long lifetime and uninterrupted transmission.



Sizes mm (inc)

### Features

Inner Diameter:38.1mm, Outer Diameter:99 mm The length of the slip rings depend on the number of channels. It has maximum 48 channels. It can be combined as 10 amperage and multiples on power circuits. Power and signal channels are used in same connector. Safety can be provided for all combinations. It is convenient to use according to all of the protocols. It has gold contacts, stainless steel body.

### Options

Cable Length, Mechanical Design, Flange Option, IP Class, Operating Temperature, Cable Output Point, Different Current Values

### Electrical Information

Features	Values	
	Power	Signal
Rated Voltage	380 VAC	240VAC/VDC
Insulation Resistance	≥1000 M Ω/ 500VDC	≥500 M Ω/ 500VDC
Cable Size	isolation PVC or PE	AWG22 silver coating, PTFE isolation
Cable Length	500mm Standard: 500mm	
Dielectric Strength	500VAC@50Hz,60s	
Electrical Noise	≤10mΩ	

### Mechanical Information

Features	Values
Operating Speed	250/500 rpm
Operating Temperature	-20°C ~ +80°C
Operating Humidity	60%RH or more
Contact Material	Precious Metal
Frame Material	Metal
Torque	0.1 N M for -6 version, 0.03N M is added for each 6 Ring
Protection Class	IP51, IP54, IP65 Standard: IP51, Optional: IP54, IP65

# THROUGHT BORE SLIP RING

## ID: 38.1mm

### Standard Products List of RH38 Series

Type	(L=mm)	Rated Current		Total Number of Circuits
		P(10A, 15A)	S(2A)	
RH38.P0610	54.1	6	—	6
RH38.S1202	54.1	—	12	12
RH38.P1210	78.1	12	—	12
RH38.P0610.S1202	78.1	6	12	18
RH38.S2402	78.1	—	24	24
RH38.P1810	102.1	18	—	18
RH38.P1210.S1202	102.1	12	12	24
RH38.P0610.S1202	102.1	6	24	30
RH38.S3602	102.1	—	36	36
RH38.P2410	126.1	24	—	24
RH38.P1810.S1202	126.1	18	12	30
RH38.P1210.S2402	126.1	12	24	36
RH38.P0610.S3602	126.1	6	36	42
RH38.S4802	126.1	—	48	48