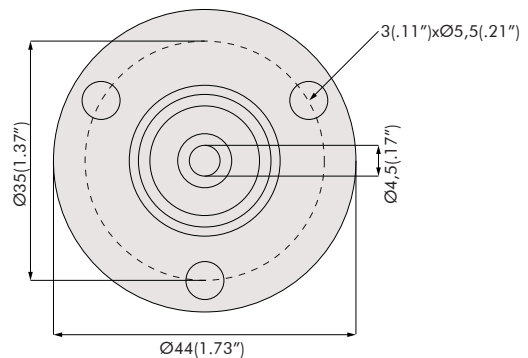
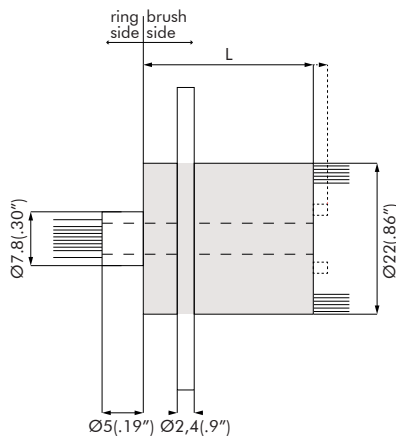


MINIATURE BODY HOLLOW SHAFT SLIP RING ID: 4.5mm

Description

Hollow Shaft Slip Ring REC - Model RH04 Series ID: 4.5mm

RH04 Series slip ring with a centre bore diameter of 4,5 mm can be used in any electro-mechanical system requiring unlimited, continuous rotation while transferring signal data from a fixed structure to a rotating structure. This model has a body diameter of 22mm and can be assembled directly from the body or in a structure. These products with aluminium body can be produced in many different flange structure according to the structure to which the slip ring is to be mounted. Fibre brushes are virtually lubricant and maintenance-free, with virtually no abrasion for lifetime use. In this type of slip ring, a group of fibre brush technologies are used and there are several points of contact between the brushes and the rings. This ensures long life and uninterrupted transmission. Miniature slip rings can be used where there is a small space or lightness at the place of use. This model has rotor, brush bearing and dust protection structure compared to all standard models and is generally suitable for military use, although the main purpose of the products is for commercial applications.



Sizes mm (inc)

Features

The bore diameter is 4,5mm and in the standard production it has between 2 and 36 lines. The signal and power circuits can also be combined so that they are 2 amperes and multiples. 250rpm working speed is provided. Compatible with all signal protocols. Gold rings and silver brushes.

Options

Cable Length, Flange Option, IP Class, Operating Temperature, Cable Outlet Point, Terminal Block Connection, Different Current Values, Military Class Standard

Electrical Information

Features	Values	
	Power	
	Signal	
Rated Voltage	600VAC/VDC	240VAC/VDC
Insulation Resistance	≥ 1000MΩ/500VDC	≥ 500MΩ/500VDC
Cable Size	PTFE insulated	PTFE insulated, silver plated copper
Cable Length	500mm Standard: 500mm	
Electrical Noise	<0,01 Ω	

Mechanical Information

Features	Values
Operating Speed	250 rpm
Operating Temperature	-20°C ~ +80°C
Operating Humidity	60%RH or more
Contact Material	Precious Metal
Frame Material	Plastic or Aluminum
Protection Class	IP51, IP54, IP65 Standard: IP51, Optional: IP54, IP65

*For more information about how REC slip ring hollow can fit your specific application, contact our slip ring experts.

MINIATURE BODY HOLLOW SHAFT SLIP RING
ID: 4.5mm

RH04 Series Standard Product List

Model	Body (mm)	(L=mm)	Nominal Current	Total Amount of Conductors
RH04.S0202	22	19,4	2A	2
RH04.S0602	22	19,4	2A	6
RH04.S0802	22	19,4	2A	8
RH04.S1202	22	26,6	2A	12
RH04.S2402	25	47,5	2A	24
RH04.S3002	25	47,5	2A	30
RH04.S3602	25	60	2A	36