

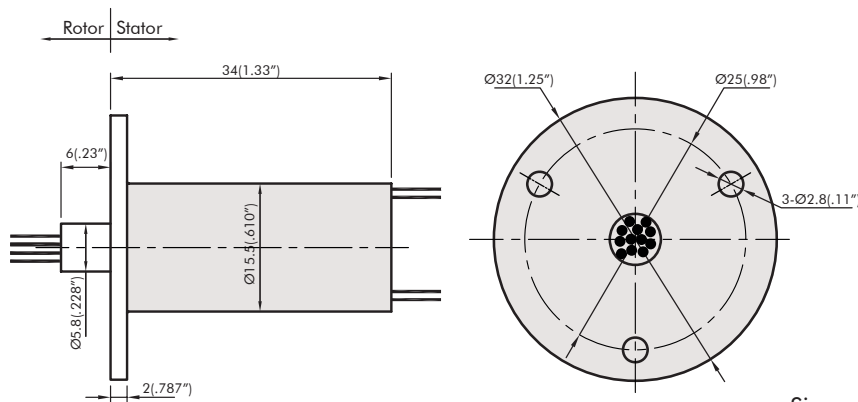
CAPSULE TYPE SLIP RING

OD: 15,5mm

Description

Capsule Type Slip Ring REC – Model RC15 Series OD: 15,5mm

RC15 Series capsule type slip ring can be used in any electromechanical system that is requiring unlimited, continuous rotation for transmitting power and/or signal data from a stable structure to rotational structure. With a case diameter as 15,5 mm, the product can be easily mounted on any end point or in any structure. These products, that have aluminium case and many types of flanges though. Also, the fiber brushes do not require lubrication and maintenance, almost no wearing down during its lifelong. This type of slip ring uses a bunch of fiber brush technology in the ring and a few of the brushes and rings contact are provided on a point. This ensures long life and uninterrupted transmission.



Sizes mm (inc)

Standart Product List of RC15 Series

Models	Body (mm)	(L=mm)	Rated Current	Number of Total Circuit
			S(2A)	
RC15.S2402	15,5	34	2A	24

Features

Outer Diameter is 15,5mm. It has 1-24 channels. It can be combined as 2 amperage and multiples on power circuits. It supports all the models of video, control, sensore ,power, ethernet signal channels. It is convenient to use according to all of the signal protocols. It has gold contacts and silver brushes, stainless steel body.

Options

Cable Length, Mechanical Design, Flange Option, IP Class, Operating Temperature, Cable Output Point, Different Current Values, Case Options as AL or ABS, Military Standards

Electrical Information

Features	Values
Rated Voltage	240VDC/240VAC
Rated Current	2A/ring
Cable Size	AWG28, colour codded, PTFE insulator, silver plated copper
Cable Length	250mm (and requested sizes)
Dielectric Strength	500VAC@50Hz, 60s
Insulation Resistance	1000MΩ/500VDC
Electrical Noise	<0.01μ

Mechanical Information

Features	Values
Operating Speed	0~300rpm
Operating Temperature	-20°C +80°C
Operating Humidity	60%RH or more
Contact Material	Precious Metal
Frame Material	Engineering Plastics

*For more information about how REC slip ring capsule can fit your specific application, contact our slip ring experts.