

CAPSULE TYPE ETHERNET SLIPRING 1000 BASE-T

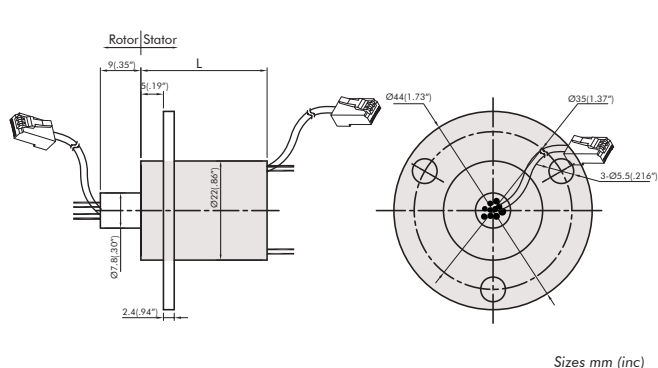
OD: 22mm

OD: 25mm

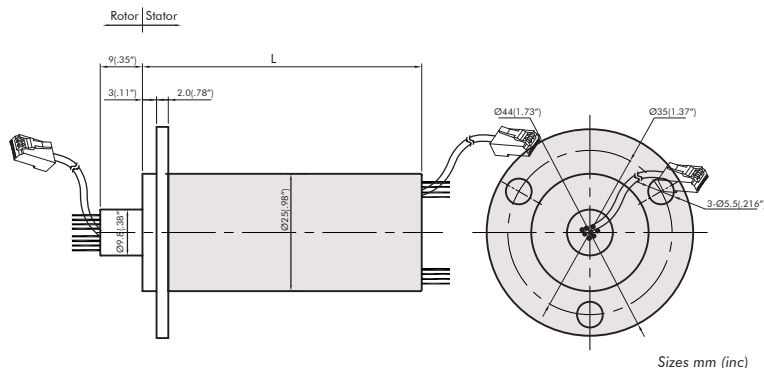
Description

REC Capsule Type Ethernet Slip Ring - Model RC Series Body Diameter : 22mm ve 25mm

Ethernet Capsule Type Slip Rings are provided for Ethernet, EtherCAT, Profinet, Sercos, Powerlink and Canbus transmissions designed for high-speed data transmission in small spaces. These products are suitable for 1000Mbit transmission and equipped with RJ45 connectors for plug and play use. CAT5E, CAT6 or CAT7E cables can be selected by the customer. This product can be used in any electromechanical system requiring unlimited, continuous rotation when transferring from a fixed structure to a rotating structure. The product having a body of 22 and 25mm is easy to assemble directly from the body to the end point, in a structure or in a pipe. These products, depending on their models, have aluminium or abs body and are easy to install and have many different flange structures. Our slip ring combines the analogue signals with 1 or 2 Ethernet lines. Power transmission can also be achieved by combining the signal lines. Fibre brushes do not require lubrication and are maintenance-free, with virtually no abrasion for life. In this type of slip ring, a group of fibre brush technologies are used and there are several points of contact between the brushes and the rings. This ensures long life and uninterrupted transmission.



OD: 22mm



OD: 25mm

Features

The body diameter is 22 mm and 25 mm and this product has 1 and 2 Ethernet and maximum 44 signal lines in standard production. In the case of special manufacturing, the number of conductors is produced more. The lines may be joined in multiples of 2A. 250rpm working speed is provided. Gold rings and silver brushes. ABS or Aluminium Body.

Options

Mechanical Design, Flange Option, IP Class, Operating Temperature, Different Current Values, Case options as AL or ABS, Military Class Standard.

Electrical Information

Features	Values
Rated Voltage	240VAC/VDC
Insulation resistance	> 500M Ω /500VDC
Cable Size	isolated PTFE, silver coated, colour coded
Cable Length	250mm Standard: 250mm
Electrical Noise	< 10m Ω

Mechanical Information

Features	Values
Operating Speed	250 rpm (higher speed up to 600 rpm on request)
Operating Temperature	-20°C ~ +80°C (-40°C as option)
Operating Humidity	60%RH or more
Contact Material	Precious metals
Frame Material	Gold-Gold (alloy)
Protection Class	IP51, IP65

* Contact our slip ring experts for more information on how Capsule Type REC slip rings can be synchronised to your specific applications.

CAPSULE TYPE ETHERNET SLIPRING 1000 BASE-T

OD: 22mm

OD: 25mm

RC Series Ethernet Slip Rings (1000M) Product List

Model	Body (mm)	(L=mm)	2A	Ethernet	Connector
RC22.E01	22	28		1000BaseT	RJ45
RC22.S0302-E01	22	29,5	3	1000BaseT	RJ45
RC22.S0602-E01	22	33,4	6	1000BaseT	RJ45
RC22.S1202-E01	22	41,2	12	1000BaseT	RJ45
RC22.S2402-E01	22	57	24	1000BaseT	RJ45
RC22.S2802-E01	22	59	28	1000BaseT	RJ45
RC25.S1802-E01	25	51,5	18	1000BaseT	RJ45
RC25.S2402-E01	25	59,5	24	1000BaseT	RJ45
RC25.S3402-E01	25	72,5	34	1000BaseT	RJ45
RC25.S4402-E01	25	85,5	44	1000BaseT	RJ45
RC22.E02	22	41,2		2x1000BaseT	RJ45
RC22.S0602-E02	22	46	6	2x1000BaseT	RJ45
RC22.S1202-E02	22	57	12	2x1000BaseT	RJ45
RC25.S2402-E02	25	72,5	24	2x1000BaseT	RJ45