

CAPSULE TYPE HD RADIO-FREQUENCY SLIP RING

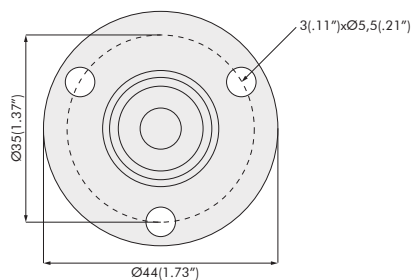
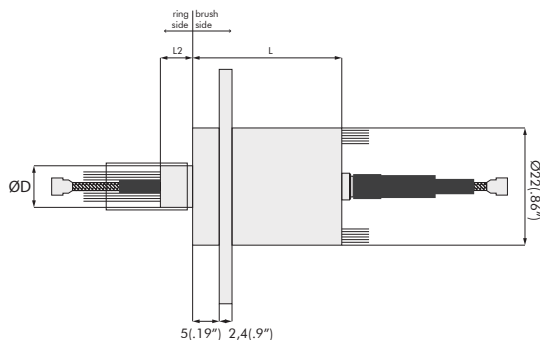
OD: 22mm

OD: 25mm

Description

REC Capsule Type Radio-Frequency Slip Ring Model RC Series Body Diameter: 22mm and 25mm

The HD radio frequency slip ring can be used in any electromechanical system that requires unlimited, continuous rotation while transmitting signal data from a fixed structure to a rotating structure. The product having a body of 22 and 25mm is easy to assemble directly from the body to the end point or in a structure. If required the product can be produced depending on many different flange structures. These products, depending on their models, have aluminium or abs body and are easy to install. The RF channel is able to transmit up to 3 GHz. High-definition video signals are specifically designed to transmit HD-SDI / 1080P / 4K images. The RC-HD series can be used in combination with 44 signal lines in standard product. Depending on the request, the digital signal lines such as Power or Ethernet can be combined (1080p / 3G-SDI o 1080i / HD-SDI). This series suitable to use with RG178, RG316 and RG174 type coaxial cables. Fibre brushes are virtually lubricant and maintenance-free, with virtually no abrasion for lifetime use. A group of fibre brush technologies are used in this type of slip ring, and there are several points of contact between the brushes and the rings. This ensures long life and uninterrupted transmission. It is the most convenient product for HD security monitor, video transmission, HD camera and antenna connections.



Dimensions mm (inch)

RC Series HD – High Frequency

Model	Body (mm)	(L=mm)	2A	Number of RF Channels	Cable	Connector
RC22.S0802-GX-HDX	22	24	8	1	Please Choose	Please Choose
RC22.S1202-GX-HDX	22	28	12	1	Please Choose	Please Choose
RC22.S1802-GX-HDX	22	38	18	1	Please Choose	Please Choose
RC22.S2402-GX-HDX	22	43	24	1	Please Choose	Please Choose

Features

The body diameter is 22mm or 25mm, and in standard production 8 to 44 signal lines can be added. The cable provides 3Ghz transmission. The body structure and transmission lines can be changed upon special request. 100rpm working speed is provided. Compatible with all signal protocols, the product has Gold rings and silver brushes.

Options

Cable and Connector Selection, Mechanical Design, Flange Option, IP Class, Operating Temperature, Different Current Values, Case options as AL or ABS, Military Class Standard.

Electrical Information

Features	Values
Rated Voltage	0~440VAC/VDC
Rated Current	2A/ring
Cable Size	AWG28 #Teflon
Cable Length	300mm (and the requested values)
Dielectric Strength	500VAC@50Hz, 60s
Insulation Resistance	1000MΩ/500VDC
Electrical Noise	<0.01Ω

Mechanical Information

Features	Values
Operating Speed	0-100rpm
Operating Temperature	-30°C~80°C
Operating Humidity	0~85% RH
Contact Material	Gold-Gold
Frame Material	Metal

* Contact our slip ring experts for more information on how Capsule Type REC slip rings can be synchronised to your specific applications.

CAPSULE TYPE HD RADIO-FREQUENCY SLIP RING

OD: 22mm

OD: 25mm

RC Series HD – High Frequency

Model	Body (mm)	(L=mm)	2A	6A	Number of RF Channels	Cable	Connector
RC25.S3002-GX-HDX	25	51,7	30		1	Please Choose	Please Choose
RC25.S3602-GX-HDX	25	64	36		1	Please Choose	Please Choose
RC25.P0406.S2002-2GX-2HDX	25	59,5	20	4	2	Please Choose	Please Choose
RC25.P0406.S3002-2GX-2HDX	25	72,5	30	4	2	Please Choose	Please Choose
RC25.P0406.S4002-2GX-2HDX	25	85,5	40	4	2	Please Choose	Please Choose

Cable Options		Connector Options	
Features	Code	Features	Code
RG174	G9	MMCX	HD9
RG136	G8	SMA	HD8
RG178	G7	SMB	HD7
RG179	G6	MCX	HD6
		BNC	HD5